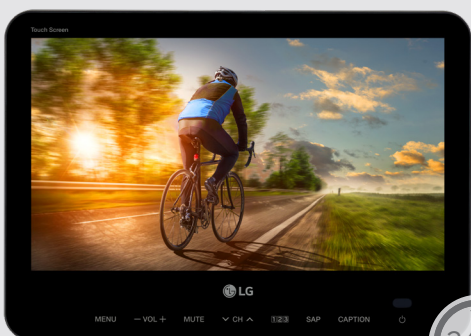




Commercial TV 15LN766F

Smart Touch Screen TV for Fitness Applications

* All images in this datasheet are for illustrative purposes only.



24hr/7days

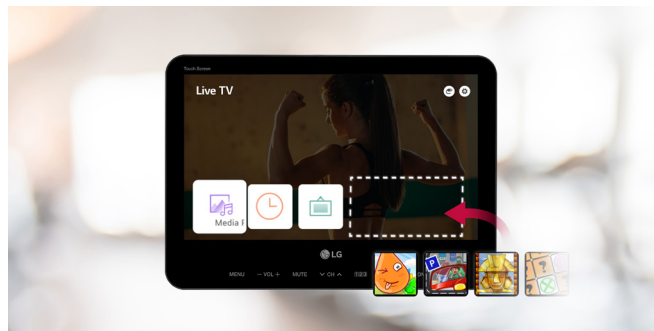
15LN766F

Screen Size	15.6"
Native Resolution	FHD (1,920 × 1,080)
Operation Time	24 Hours / 7 Days
Touch	Full Touch Screen
Speaker	2 W + 2 W (2.0 ch)
Headphone Jack	Replaceable Modular Type
OS	webOS 22 (Pre-loaded Apps Support)
Solution	Pro:Centric (Smart, Direct, V)



LG webOS 22 15-inch Touch Display

Explore the latest webOS 22 of the 15-inch full HD TV with touchscreen support. It allows users to simply play TV shows and enjoy various apps while exercising.



Various Apps for Entertainment

The 15LN766F has a web browser with various popular game apps that provide users more enjoyable and differentiated experiences.

* TV must be connected to the internet, and the App List on the screen may differ from the actual list.



Screen Share

Users can connect their smartphone to the TV and share* their screens, which allows them to enjoy their own content.

* Screen Share may not be available depending on an app policy.



Reliable Content Playback with Pro:Idiom

Digital Rights Management (DRM) technology provides access to premium content to help rapid and broad deployment of HDTV and other high-value digital content.



Easy and Customized Service with Pro:Centric Solution

With LG's Pro:Centric Direct*, operating content and remote control for multiple LN766F TVs become very convenient. Also fitness club owners can easily develop their own apps based on the SDK (HTML5).

* Pro:Centric Direct requires a dedicated server. (Sold separately)



Power Over Coax (PoC) and Antimicrobial Screen

The 15LN766F can be powered by AC or DC over the coaxial signal cable, negating the need for a separate power supply and cable. And antimicrobial properties applied to the plastic housing of this display conform with the ISO 22196 measurement standard.*

* ISO 22196 is the measurement standard for antimicrobial activity on plastics and other non-porous surfaces.

PRODUCT INFORMATION

* 15.6 inch

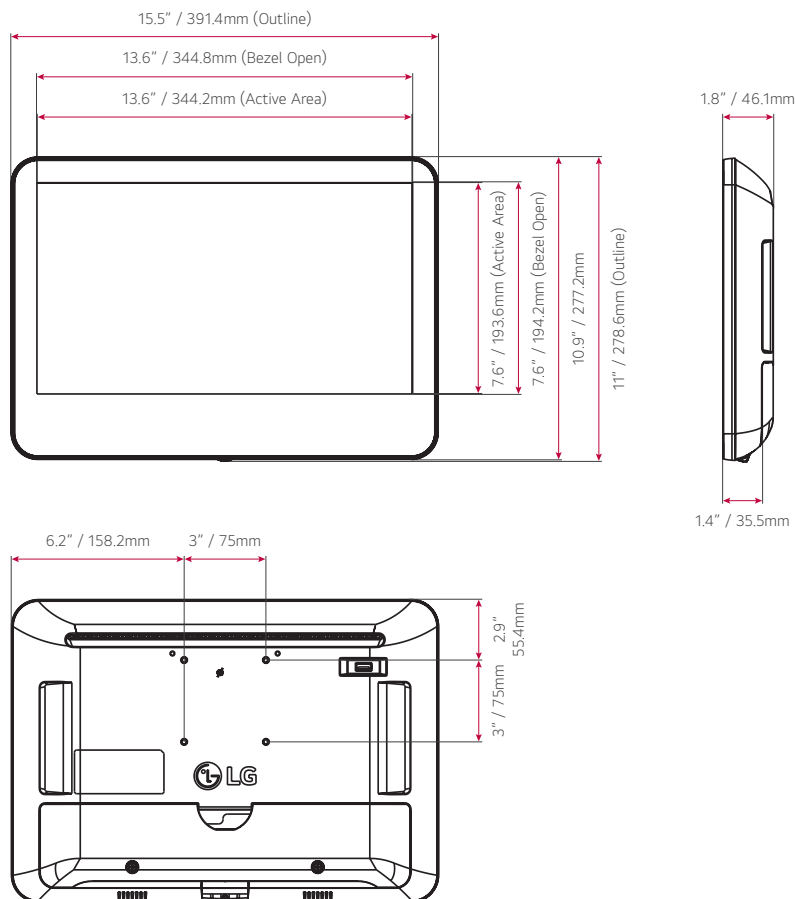


15LN766F

Design	Stand Type	No Stand
Display	Inch	15.6"
	Resolution	1,920 × 1,080 (FHD)
Broadcasting System	Digital	ATSC, Clear QAM
	Analog	NTSC
Solution	Pro:Centric Smart, Direct (4.0), V (PCA3.8), Cloud	

DIMENSIONS

15.6"



* Dimensions may differ from the above image, so please contact LG sales team to verify before ordering.

SPECIFICATIONS

15LN766F

Category	Category	Pro:Centric Smart
Design	Stand Type	No Stand
	Front Color	Black
Display	Inch	15.6"
	Resolution	1,920 x 1,080 (FHD)
Audio	Speaker (Sound Output)	2 W + 2 W
	Speaker System	2.0 ch
	LG Sound Sync	Bluetooth Wireless
Broadcasting System	Digital (Terrestrial, Cable, Satellite)	ATSC / Clear QAM
	Analog (NTSC / SECAM / PAL)	NTSC
	Global IPTV Support	Yes
Hospitality Solution	Solution Type	Pro:Centric (Smart, Direct, V)
	DRM	Yes
Smart Features	webOS 22, Web Browser, Pre-loaded App, SoftAP, Wi-Fi (802.11ac), Screen Share (Miracast), Smart Share, Bluetooth Audio Playback, HDMI-ARC (HDMI 2), Motion Eye Care, NTP Sync Timer	
Hospitality Features	Welcome Screen (Splash Image), Insert Image, Instant ON	
Management Features	SNMP, HTNG-CEC (1.4), Multi-code IR, Anti-theft System (Kensington Lock)	
Jack Interface	Set Rear	USB (2.0)
	Set Bottom	HDMI In, Headphone Out, Antenna/Cable In (Tuner), RJ45 (Ethernet), MPI Port (RJ12 Jack), External IR In, DC In Jack, PoC (Power over Coax)
Dimensions	VESA Compatible	75 x 75 mm
	Dimensions (W x H x D)	15.4 x 11.0 x 1.8 in. 391.4 x 278.6 x 46.1 mm
	Dimensions (W x H x D) with Top Mount	15.4 x 11.0 x 3.2 in. 391.4 x 278.6 x 82.4 mm
	Weight without Stand	6.4 lbs. / 2.9 kg
	Shipping Weight without Stand	8.6 lbs. / 3.9 kg
Power	Optional DC Power Supply (AM-PW18BA)	Input: VAC 100 to 240, 50/60Hz Output: 19 VDC, 3.42A
	Max Power Consumption	35 W
	PoC (Power over Coax)	VAC 20-34, Typ. 28 VAC VDC 22-48, Typ. 24 VDC
	Standby Power Consumption	Adapter: Less than 0.5 W PoC: Less than 0.5 W
Regulatory & Certifications	Certifications / EMC	UL / FCC
Accessories	RF Jumper	
Warranty	3 Year Limited	

* Specifications are subject to change without notice, so please contact LG sales team to verify before ordering.